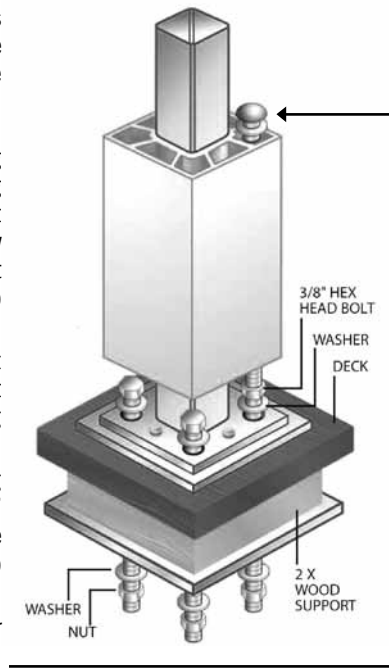


## Composite Applications (hardware included)

The Deck Mounting Kit includes a Leveling Plate, Base Plate and Flange Mounting Hardware for composite applications.

- Whether you are installing a 36" or 42" high railing section, the Secure-Mount Post provides the flexibility for proper attachment with its adjustable Top Mounting Block.
- The Secure-Mount Post comes packaged and set for a 36" high railing application.
- To use with a 42" Railing System, remove the 1-1/4" Set screw, located inside the top opening of the Top Attachment Block.
- Through bolt pattern for 42" x 8' installation.



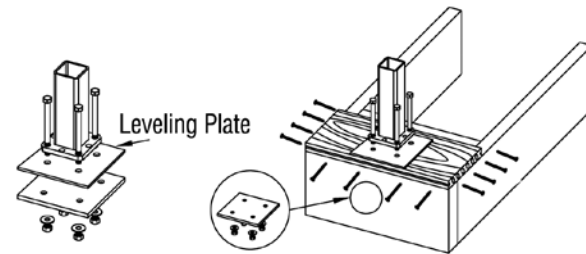
Once the set screw is removed, slide the Top Attachment Block up approximately 6" and align the bottom opening with the pre-drilled hole of the internal support post. Securely fasten the 1-1/4" set screw and you are ready for the 42" installation.

## 3 Attach Post

Once the TimberTech decking has been installed and the blocking is in place, use the base plate of the Secure-Mount Post as a template and mark the four corner holes for the 3/8" x 5-1/2" Hex Head Bolts.

- Drill four 7/16" holes through the marked holes, drilling through the deck plank and the reinforcement blocking below.
- Align the base plate over the drilled holes.
- Take the Secure-Mount Post and place it on the base plate lining up the holes.
- Screw the 5/16" leveling set screws into the four tapped holes.
- Insert the four 3/8" x 5-1/2" bolts into the drilled 7/16" holes.
- Take the bottom plate and line it up with the bolts under the TimberTech deck plank and the 2x12 support blocking.
- Install the washer and securely tighten with the included nut on all four 3/8" bolts.
- If needed, adjust the leveling set screws to plumb the Secure Mount Post.
- For corner post installations, use the off-set holes of the base plate.

Once the Secure-Mount Post is securely attached, trim the TimberTech Post Cover to the desired height and slide it over the post to begin rail section installation.

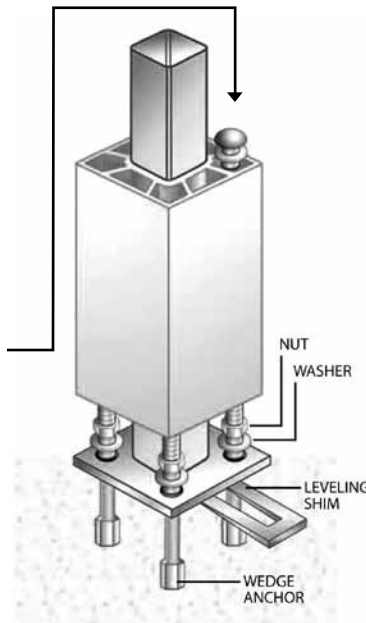


## Concrete Mount Applications

(hardware NOT included)

- **36" x 6', 36" x 8' and 42" x 6' rail applications**  
Install using Flange Mounted TimberTech Secure Mount Post.
- **42" x 8' rail applications**  
Install through bolt (hardware NOT included).
- 3/8" Diameter Wedge Anchor recommended for concrete applications.
- Through bolt pattern for 42" x 8' installation.

Threaded rod would only be needed for 42" x 8' rail application and is not included. Threaded rod in a through bolt application on concrete would need to be used with an anchoring adhesive.



## 1 Determine Post Location

Placement of the Secure-Mount Post should be measured with a center-to-center measurement of 72" when installing a 6' rail section and 96" when installing an 8' rail section.

## 2 Install Blocking

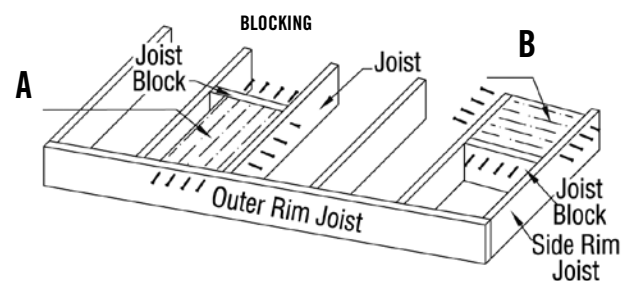
Once you have determined the layout for the Secure-Mount Posts on the deck's substructure, you will need to install blocking between the designated joists.

**A** - Using a doubled 2x12 as the block, secure the block in the joist bay and attach on at least three sides.

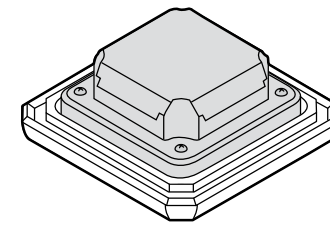
- At least a #8 x 3" stainless steel or high-quality coated exterior wood screw for the block attachment is recommended and approved for use in treated lumber.
- Staggering 3" screws is recommended.

**B** - Note that the wood grain of the 2x12 block must be installed perpendicular to the outside rim joist of the deck.

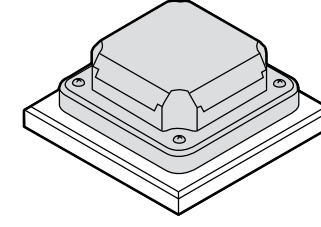
- Installation of a perpendicular joist block will be needed to ensure attachment on all three sides of the blocking.



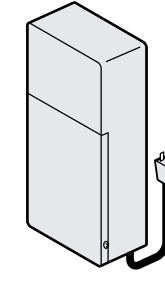
## DeckLites Components



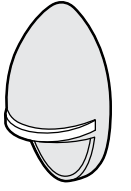
5 x 5 Post Lamp Module  
RadianceRail



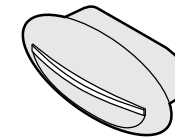
4 x 4 Post Lamp Module  
Ornamental Rail, RadianceRail Express



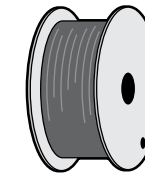
150W Transformer  
300W Transformer



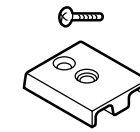
Accent Light



Stair Riser Light



12/2 AWG Wire



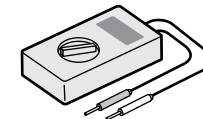
Cable Guide  
& Screw  
(12/bag)



Medium  
Silicone Filled  
Wire Nuts  
(20/bag)

## Tools Required

In addition to a basic tool set, you will need the following for installation of DeckLites components.



Volt Meter



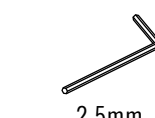
1 3/4"  
Hole Saw



Drill Bits:  
3/8"  
7/64"  
1/4"  
3/16"



Spade Bits:  
5/8" & 3/4"



2.5mm  
Allen Wrench

## Important Safety Precautions

### INSTRUCTIONS PERTAINING TO A RISK OF FIRE OR INJURY TO PERSONS IMPORTANT SAFETY INSTRUCTIONS

Lighted bulb is HOT!

#### WARNING – To reduce the risk of FIRE OR INJURY TO PERSONS:

- Turn off/unplug and allow to cool before replacing lamp.
- Lamp gets HOT quickly! Contact only switch/plug when turning on.
- Do not touch hot lens, guard, or enclosure.
- Keep lamp away from materials that may burn.
- Do not touch the lamp at any time. Use a soft cloth. Oil from skin may damage lamp.
- Do not operate the luminaire fitting with a missing or damaged cover.

SAVE THESE INSTRUCTIONS

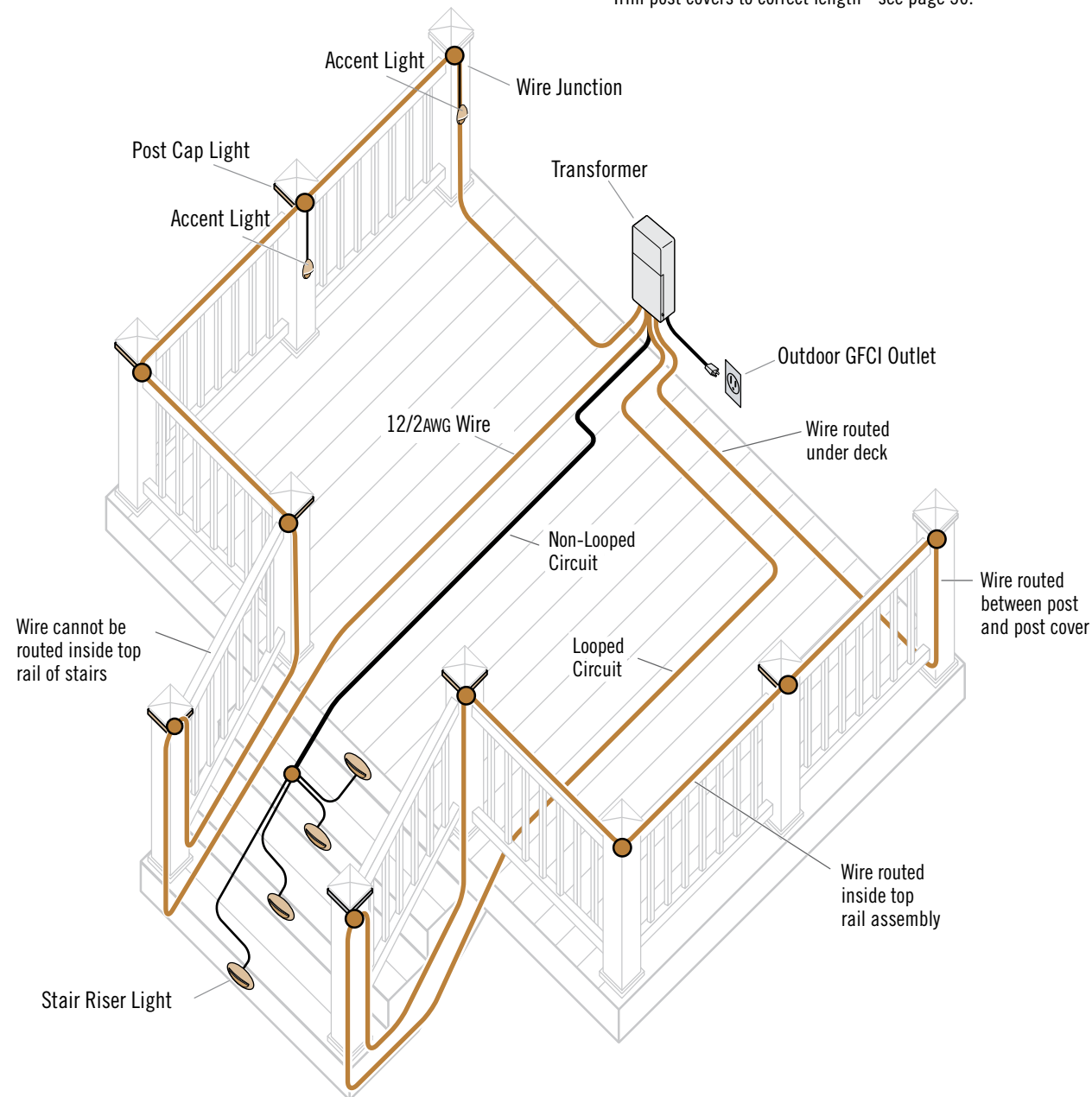
For information about DeckLites® visit [www.timbertech.com/DeckLites](http://www.timbertech.com/DeckLites).

# TimberTech DeckLites Layout Overview

The TimberTech DeckLites system is designed for use with the RadianceRail, RadianceRail Express and Ornamental Rail products.

Below is a sample lighting layout showing fixture placement and wiring routes. When laying out the wiring for your deck, keep the following in mind:

- Building codes vary by locale, please consult all applicable codes before beginning project.
- Modifications must be made to railing components during assembly to accommodate wiring and fixtures. Do not begin deck construction until you have read the lighting instructions.
- This unit secondary wiring shall be protected by routing in close proximity to the luminaire or fitting, or next to a building structure such as a house or deck. The wiring shall not be buried except for a maximum 6 inches (15.2cm) in order to connect to the main secondary wire.
- A maximum of 10 lights (10W ea.) can be attached to a single circuit, and a maximum of 30 lights total can be powered by the supplied 300W transformer. A maximum of 15 lights (10W ea.) can be powered by the supplied 150W transformer.
- The 12AWG secondary supply wire can be buried to a maximum of 6" for routing under deck or other obstacles. The Luminary (unit secondary) wires cannot be buried underground.
- Luminaries shall not be installed within 10 feet (1.52m) of a pool, spa or fountain.
- Please contact TimberTech to order additional lengths of wire for connection of the luminaries.
- Trim post covers to correct length - see page 30.

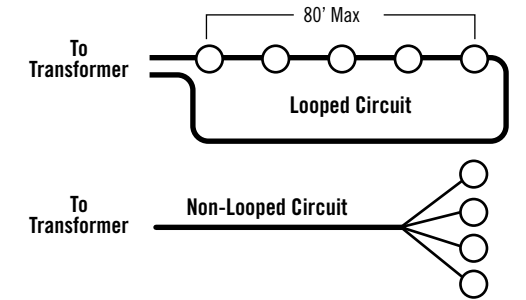


# Wiring Instructions

## Looping Main Cables & Voltage Drop

The DeckLites lighting fixtures are designed to work within a specific voltage range of 10.5V to 12V. As current runs along the main cable and to each fixture in a circuit, voltage drop will occur. This can lead to insufficient voltage being supplied to the fixtures at the end of the run. To limit voltage drop, it is recommended that you loop the main cable on circuits that have long runs with multiple lighting fixtures.

Looping of the main wire is not necessary on circuits where all of the fixtures are connected at the same junction, such as the Stair Riser Light circuit shown in the Overview illustration.



## Wire Connections

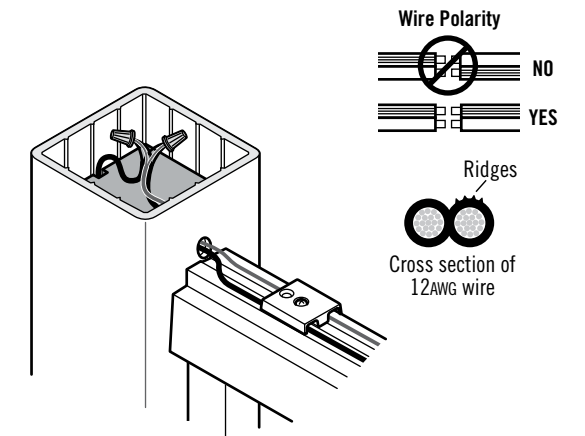
Connections between the main 12/2AWG cable and the lighting fixtures are made using the space between the post and the Post Cap or Post Light Module as a junction box.

When routing the main wire around the deck, leave a loop of extra wire at the top of each post to allow for splicing connections.

Use silicone filled wire nuts with corrosion protection and intended for outdoor use to make all connections. They shall be copper, copper alloy, or the equivalent.

**!** Be sure to **MAINTAIN POLARITY** by aligning ridges when splicing the main 12/2AWG wires or shorting will occur. Polarity for the 18AWG fixture wires is not critical.

When making splices, **do not pre-twist wires**. Pre-twisting wires can lead to a poor seal inside the wire nut causing corrosion and/or voltage drop.



## Wire Nut Instructions

Wire Capacity for Medium Wire Nut

# Wires	12 Gage		
	0	1	2
1			
2			
3			
4			
5			
6			
7			
8			
9			
10			

Use the following guidelines for correct usage of wire nuts.

**IMPORTANT:** Turn off power before installing or removing connector. Product to be used in accordance with local and national codes.

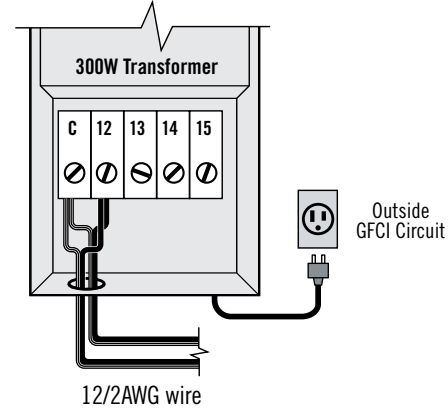
1. Strip wires 5/8"
2. Align frayed strands of conductors.
3. Do not pre-twist. Place stripped wires together with ends even, but lead smaller stranded wires slightly ahead of larger solid or stranded wire.
4. Twist connector onto wires pushing firmly until hand-tight. **DO NOT** over torque.
5. Wipe excess sealant in and around conductors. **DO NOT REUSE**.

## Transformer Connections

Consult the instructions provided with the transformer for additional information.

Power is supplied to the lighting fixtures via 12/2AWG wires connected to the provided transformer. One side of the 12/2AWG wire is connected to the Common terminal (C), the other side is connected to an Output terminal. **When connecting the wires in a loop configuration, polarity of the wire must be maintained.** One side of the 12/2AWG wire contains raised ridges to allow for easy identification (see Wire Connections section).

The 300W transformer has multiple output terminals ranging from 12V to 15V. In order to determine which terminal to use for a particular circuit, you will need to use the testing procedure outlined below. The 150W transformer has a single set of Output terminals. Either terminal can be used as the Common (C) and the Output (O), however, polarity must be maintained throughout the loop.



Note: 300W Transformer pictured- 150W also available

## Transformer Settings

150 Watt Transformer	
<b>On</b>	Turns unit on
<b>Off</b>	Turns unit off
<b>Auto</b>	Photocell Control "Auto" – Lights come on at dusk and go off at dawn
<b>4H</b>	Stays on 4 hours after dusk
<b>6H</b>	Stays on 6 hours after dusk
<b>8H</b>	Stays on 8 hours after dusk

300 Watt Transformer	
<b>0</b>	Constant Power On
<b>A</b>	Photocell Control "Auto" – Lights come on at dusk and go off at dawn
<b>1-9</b>	Photocell Control "On" – Lights stay on for the amount of time indicated below: 1- Stays on 1 hour after dusk 2- Stays on 2 hours after dusk 3- Stays on 3 hours after dusk 4- Stays on 4 hours after dusk 5- Stays on 5 hours after dusk 6- Stays on 6 hours after dusk 7- Stays on 7 hours after dusk 8- Stays on 8 hours after dusk 9- Stays on 9 hours after dusk

## Voltage Testing Procedure

To insure the proper operation of the lighting fixtures, a voltage range of 10.5V to 12V must be supplied to each fixture. Supplying voltage outside this range may lead to undesirable or unsafe operation of the lighting fixtures.

To test for proper voltage, do the following:

- Connect all fixtures, with lamps installed, to the circuit you are testing.
- Connect the ends of the main 12/2AWG wire to the transformer using the 12V terminal. (**Polarity must be maintained.**)
- Turn on transformer to energize circuit.
- Using a volt meter, test the voltage at the first fixture on the loop (high reading), then test in the middle of the run (low reading).
- If low reading falls below 10.5V, move non-common loop wire up to the next higher transformer terminal and re-test until proper voltage is achieved.

Test all circuits in a similar manner, and adjust voltage up or down as needed.

## Post & Rail Preparation

### 5 x 5: RadianceRail

#### Post & Post Covers

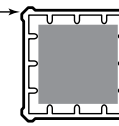
(The following instructions are for a rail height of 36")

- 1 Trim 4x4 wood posts to 35-1/2" above deck surface.
- 2 Trim Post Covers to length: 37-1/2" for a lit post  
39-5/8" for an unlit post

For best results, use a miter saw with a fine toothed blade to make Post Cover cuts. Check cuts for square.

- 3 Feed main 12/2AWG cable between post and Post Covers. (See Wire Connections section for more info.)

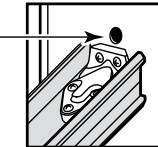
Run wires up corner voids created by Post Cover Ribs.



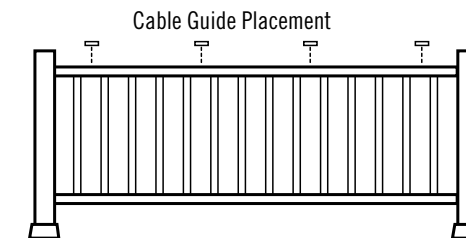
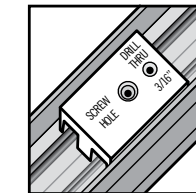
#### Railing

- 1 Install Support Rails and Balusters as normal, DO NOT install Top Rail yet.

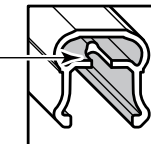
- 2 Drill a 5/8" hole through the Post Cover on centerline, directly above rail Mounting Blocks.



- 3 After running all wiring, secure four Cable Guides to Support Rail using #8 x 3/4" screws. Use the Cable Guides to pre-drill holes thru the Support Rail with a 3/16" bit.



- 4 Make a notch on the centerline of the Top Rail by boring a 3/4" hole centered 1/2" back from the end of the rail, then cut it out to form an open slot.



- 5 Attach Top Rails after installation of Accent Lights, but before installation of Post Cap Lights. Use the holes that were pre-drilled through the Cable Guides to attach the Top Rail. FAILURE TO USE THESE HOLES MAY RESULT IN WIRE DAMAGE.

### 4 x 4: Ornamental Rail, RadianceRail Express

#### Post & Post Covers

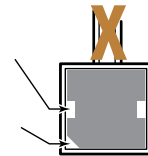
(The following instructions are for a rail height of 36")

- 1 Trim 4x4 wood posts to 34-1/2" above deck surface.
- 2 In order to provide clearance for wiring between the post and Post Cover you must create a wire channel.

Route a 1/2" by 1/2" slot down the post

OR

Chamfer the corner of the post



NOTE: Do not rout a wire channel where a rail is to be mounted.

- 3 If you plan to install a post mounted Accent Light, you must rout a slot down the post to the desired fixture position. (See Accent Light instructions.)

- 4 Trim Post Covers to length: 36-1/2" for a lit post  
38-5/8" for an unlit post.

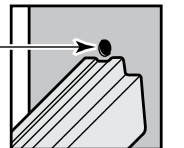
For best results, use a miter saw with a fine toothed blade to make Post Cover cuts. Check cuts for square.

- 5 Feed main 12/2AWG cable up or down post using prepared feature. (See Wire Connections section for more information)

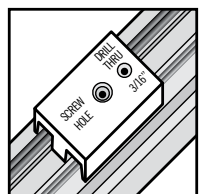
#### Railing

- 1 Install Universal Rails and Balusters as normal, DO NOT install Top Rail yet.

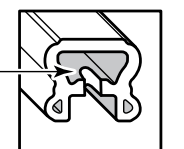
- 2 Drill a 5/8" hole through the Post Cover on centerline, directly above the Universal Rail.



- 3 After running all wiring, secure four Cable Guides to Universal Rail using #8 x 3/4" screws. Position every 4th Baluster, avoiding Balusters and Baluster Mounting Blocks if installed. Use the Cable Guides to pre-drill holes thru the Universal Rail with a 3/16" bit.



- 4 Make a notch on the centerline of the Top Rail by boring a 3/4" hole centered 1/2" back from the end of the rail, then cut it out to form an open slot.



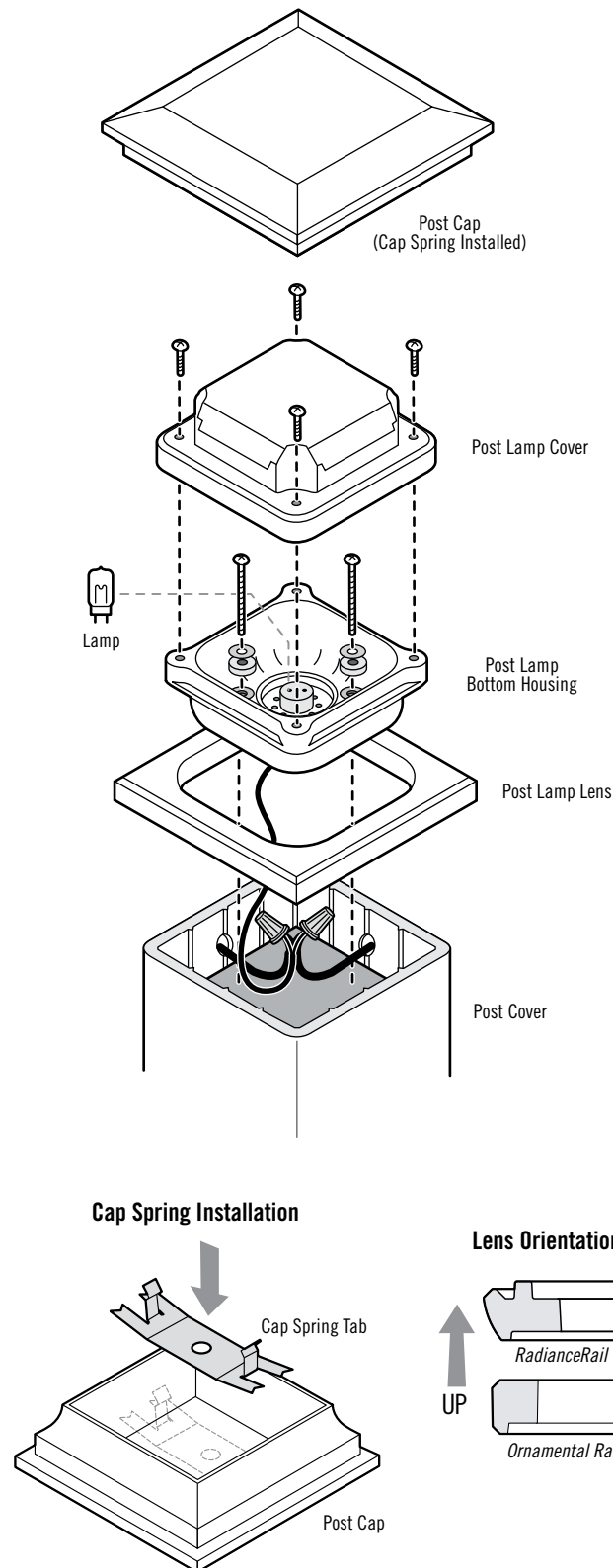
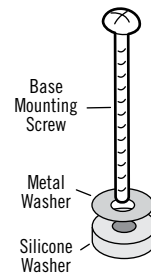
- 5 Attach Top Rails after installation of Accent Lights, but before installation of Post Cap Lights. Use the holes that were pre-drilled through the Cable Guides to attach the Top Rail. FAILURE TO USE THESE HOLES MAY RESULT IN WIRE DAMAGE.

# Installing Post Cap Light

Post Lamps must be installed after the rail assembly has been completed.

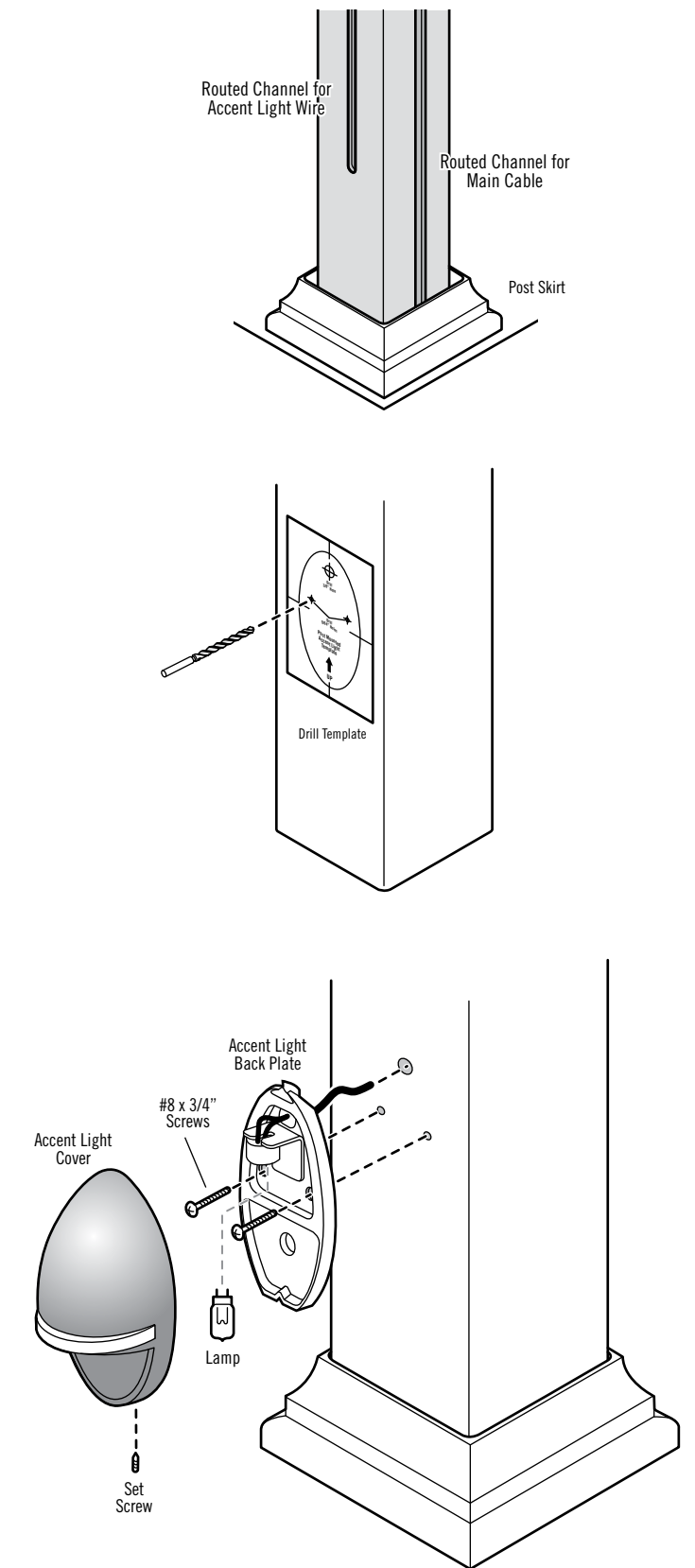
**!** Before installing, refer to Post & Rail Preparation section.

- 1 Install the Lens onto the Post Cover as shown.
- 2 Remove the Post Lamp Cover from the Post Lamp Bottom Housing.
- 3 Trim excess wire length and make wiring connections to 12/2AWG main cable and other 18/2AWG luminary wires. **Check to confirm polarity of main cable connections.**
- 4 Coil the connected wires inside the Post Cover and insert the Post Lamp Bottom Housing into the Lens. Check to make sure no wires are exposed or pinched between Lens and Bottom Housing.
- 5 Install the mounting screws and washers assembled as shown. **Watch as screws are installed to ensure that wires are clear of screw tip prior to driving them into the wood post. Tighten only until the silicone washer begins to compress. Over-tightening could break the Bottom Housing causing permanent damage.**
- 6 Install Lamp. **Do not touch the Lamp with bare hands, oil from skin may damage Lamp. Use a soft cloth when handling Lamp.** Reinstall Post Lamp Cover and screws.
- 7 Install Cap Spring into Post Cap as shown (place finger and thumb on Cap Spring tabs, flex gently until Cap Spring appears slightly bowed, insert Cap Spring into Post Cap approximately at the center of the opening until bowed back ends contact the inside top of the Post Cap then relax finger and thumb pressure). Press Cap Spring into seated position as shown.
- 8 Install Post Cap onto Post Lamp Cover.



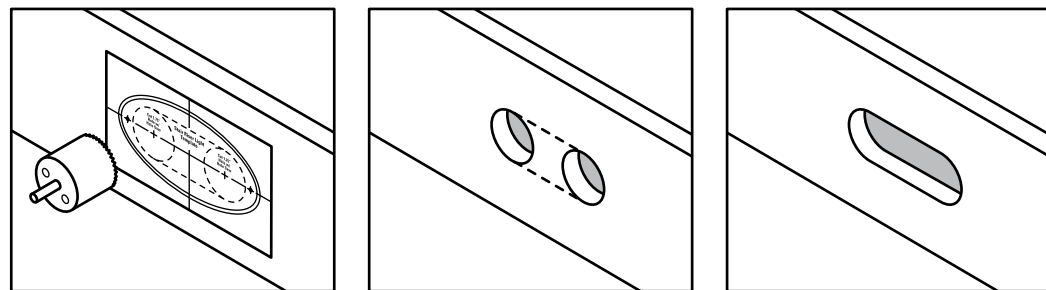
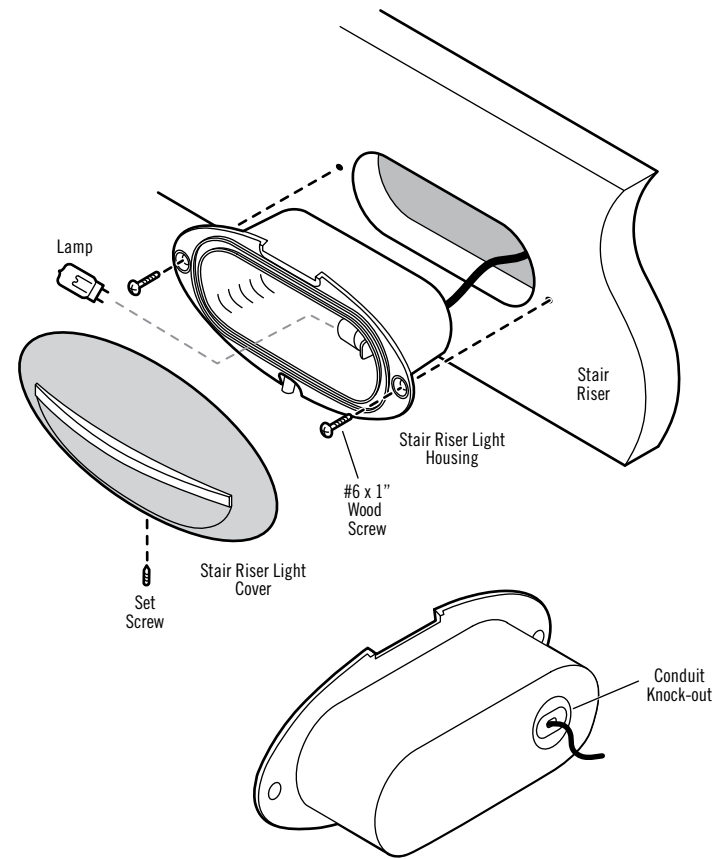
# Installing Post Mounted Accent Light

- 1 Accent Light wire channel must be routed during the installation of the Post Cover. The Post Cover and the wood post must be prepared in advance to accommodate installation of the Accent Light. (No post preparation is necessary for RadianceRail.)
- 2 Prepare the Post Cover in the following manner:
  - Cut the Post Cover to the desired length.
  - Determine the height the Accent Light will be mounted.
  - Mark the location of the wire hole and the mounting screw holes using the template provided in the instructions that come with the product.
  - Drill a 3/8" hole for the wire and drill two 7/64" holes for the mounting screws.
- 3 If a Post Skirt is used, install it over the wood post before installing the Post Cover. You will not be able to install Post Skirt after Post Cover and Accent Light are in place.
- 4 Remove Accent Light Cover from Accent Light Back Plate by loosening Set Screw located at bottom of Accent Light Cover.
- 5 Route the Accent Light wire through the wire hole in the Post Cover then invert the Post Cover and allow the wire to extend out the top end of the Post Cover.
- 6 Hold the Accent Light Back Plate loosely in position and slide the Post Cover over the wood post and into the Post Skirt. Make sure the wire is in the routed wire channel.
- 7 Attach the Accent Light Back Plate to the post using two #8 x 3/4" screws provided.
- 8 Install Lamp. **Do not touch the Lamp with bare hands, oil from skin may damage Lamp. Use a soft cloth when handling Lamp.** Re-install Accent Light Cover and secure with Set Screw with Allen Wrench.
- 9 Trim excess wire and make wiring connections. (See Connections section of manual).



# Installing Stair Riser Light

- 1 Locate and mark vertical and horizontal centerlines for Stair Riser Light location.
- 2 Align cut-out template (provided on the instructions that come with the product) with the centerlines and mark left and right center points for hole saw cuts.
- 3 Cut a 1 3/4" diameter hole at each center point using a hole saw (hole centers will be 3" apart, 1 1/2" to centerline).
- 4 Mark a horizontal line tangent to the top and bottom edges of the 1 3/4" holes. Cut along the horizontal lines to finish the cutout as shown.
- 5 Trim excess wire length and make wire connection to main circuit wire using wire nuts provided. Check local codes to determine if conduit is required. To connect conduit, remove wire and grommet from conduit knock-out, then remove knock-out in rear of housing.
- 6 Remove Stair Riser Light Cover and install Stair Riser Light Housing into opening. Pre-drill with a 1/8" bit and attach with two #6 x 1" flat head wood screws.
- 7 Install Lamp into socket. **Do not touch the Lamp with bare hands, oil from skin may damage Lamp. Use a soft cloth when handling Lamp.** Re-install Stair Riser Light Cover and secure with Set Screw with Allen wrench.



# 25-Year Limited Residential Warranty 10-Year Limited Commercial Warranty



## Alternative decking materials, rail systems, accessories and the DrySpace deck drainage system

Statement of Warranty: This warranty is given to the original purchaser, residential or commercial as the case may be ("Purchaser"), of TimberTech alternative decking materials, rail systems (excluding all metal baluster components of such rail systems and DeckLites, which are covered under separate warranties), and accessories (individually and collectively "Decking Materials") and the DrySpace deck drainage system ("DrySpace" and, collectively with the Decking Materials, the "TimberTech Products"). This warranty does not extend to fasteners that are not supplied by TimberTech. For purposes of this warranty, a residential Purchaser shall refer to a single-family residential homeowner and a commercial Purchaser shall refer to any Purchaser other than a single-family residential homeowner.

TimberTech Limited ("TimberTech") warrants to Purchaser that, for a period of twenty-five (25) years (Residential) & ten (10) years (Commercial) from the date of the original purchase, residential or commercial as the case may be, (the "Term"), under normal use and service conditions, that: (1) the Decking Materials will be free from material defects in workmanship and materials, and will not check, split, splinter, rot or suffer structural damage from termites or fungal decay; and (2) DrySpace will not peel, blister, pit, flake, crack or corrode as a result of manufacturing defects, or as a result of exposure to ocean air (salt spray).

All warranties are subject to the exclusions, limitations and restrictions set forth below.

Obtaining Warranty Performance: If Purchaser discovers a defect in the TimberTech Products during the Term, Purchaser must, within thirty (30) days from the discovery of the alleged defect but no later than the end of the Term, notify TimberTech in writing, at the following address:

TimberTech Limited  
894 Prairie Avenue  
Wilmington, Ohio 45177  
Attn: Claims Department

Purchaser must include in this notification proof of purchase and a statement explaining the defect. TimberTech may request additional information. After reviewing all information, TimberTech will make a determination regarding the validity of such claim. If TimberTech determines that Purchaser's claim is valid, TimberTech will, at its option, either replace the defective TimberTech Products or refund the portion of the purchase price paid by Purchaser for such defective TimberTech Products (not including the cost of its initial installation).

If a residential Purchaser makes a valid warranty claim hereunder during years eleven (11) through twenty-five (25) after the original purchase, then the residential Purchaser's recovery will be prorated as indicated below. If TimberTech is providing replacement materials, it may elect to replace the percentage listed below of boards otherwise meeting the requirements for a claim; if TimberTech is refunding the purchase price, it may elect to refund the percentage listed below of the purchase price of boards otherwise meeting the requirements for a claim.

Year of Claim	Recovery
11	80%
12	80%
13	80%
14	60%
15	60%

Year of Claim	Recovery
16	60%
17	40%
18	40%
19	40%
20	20%

Year of Claim	Recovery
21	20%
22	20%
23	10%
24	10%
25	10%

This warranty shall not cover, and TimberTech shall not be responsible for, costs and expenses incurred with respect to the removal of the defective TimberTech Products or the installation of replacement materials, including but not limited to, labor and freight. The foregoing remedies are the SOLE AND EXCLUSIVE REMEDY FOR BREACH OF ANY WARRANTY.

Transfer of Warranty: This warranty may be transferred one (1) time, within the five (5) year period beginning from the date of original purchase by Purchaser, to a subsequent buyer of the property upon which the TimberTech Products were originally installed.

Exclusions from Warranty Coverage: TimberTech does not warrant against and is not responsible for, and no implied warranty shall be deemed to cover, any product failure, product malfunction, or damages attributable to: (1) improper installation of the TimberTech Products and/or failure to abide by TimberTech's installation guidelines, including but not limited to improper gapping; (2) use of TimberTech Products beyond normal use, or in an application not recommended by the TimberTech installation guidelines and local building codes; (3) movement, distortion, collapse or settling of the ground or the supporting structure on which the TimberTech Products are installed; (4) any act of God (such as flooding, hurricane, earthquake, lightning, etc.), environmental condition (such as air pollution, mold, mildew, etc.), or staining from foreign substances (such as dirt, grease, oil, etc.); (5) variations or changes in color of TimberTech Products; (6) normal weathering due to exposure to sunlight, weather and atmosphere which can cause colored surfaces to, among other things, flake, chalk, or accumulate dirt or stains; (7) improper handling, storage, abuse or neglect of the TimberTech Products by Purchaser, the transferee or third parties; (8) any fasteners not supplied by TimberTech; or (9) minor dripping from DrySpace.

Purchaser is solely responsible for determining the effectiveness, fitness, suitability and safety of the TimberTech Products in connection with their use in any particular application.

Limitations: DISCLAIMER OF WARRANTIES: EXCEPT FOR (1) THE EXPRESS WRITTEN WARRANTY CONTAINED HEREIN, AND, (2) THE 25 YEAR LIMITED RESIDENTIAL FADE AND STAIN WARRANTY APPLICABLE TO EARTHWOOD EVOLUTIONS DECKING ONLY (WHICH IS IN ADDITION TO THE WARRANTY CONTAINED HEREIN), TIMBERTECH MAKES NO OTHER WARRANTIES, GUARANTEES OR INDEMNITIES, WHETHER EXPRESS OR IMPLIED, ARISING BY LAW, COURSE OF DEALING, USAGE OF TRADE, CUSTOM OR OTHERWISE, INCLUDING BUT NOT LIMITED TO THE IMPLIED WARRANTY OF MERCHANTABILITY AND IMPLIED WARRANTY OF FITNESS FOR A PARTICULAR PURPOSE, AND ALL SUCH OTHER WARRANTIES, GUARANTEES AND INDEMNITIES ARE HEREBY DISCLAIMED, OVERRIDDEN AND EXCLUDED FROM THIS TRANSACTION FOR THE WARRANTY TERM AND BEYOND THE WARRANTY TERM.

Some states do not allow limitations on how long an implied warranty lasts so the above limitation may not apply to you.

LIMITATION OF REMEDIES AND EXCLUSION OF CONSEQUENTIAL AND INCIDENTAL DAMAGES: TIMBERTECH'S LIABILITIES ARE LIMITED SOLELY AND EXCLUSIVELY TO THE OBLIGATIONS SPECIFICALLY UNDERTAKEN HEREIN, AND UNDER NO CIRCUMSTANCES WILL TIMBERTECH BE LIABLE OR OBLIGATED FOR ANY INCIDENTAL, CONSEQUENTIAL, INDIRECT, SPECIAL, PUNITIVE OR ANY OTHER DAMAGES OF ANY KIND WHATSOEVER (INCLUDING, BUT NOT LIMITED TO, LOST PROFITS, LOST SALES, LOSS OF GOODWILL, USE OF MONEY, USE OF GOODS, STOPPAGE OF WORK, OR IMPAIRMENT OF ASSETS), WHETHER FORESEEABLE OR UNFORESEEABLE, ARISING OUT OF BREACH OR FAILURE OF EXPRESS OR IMPLIED WARRANTY, BREACH OF CONTRACT, FRAUD, MISREPRESENTATION, NEGLIGENCE, STRICT LIABILITY IN TORT OR OTHERWISE, EXCEPT AND ONLY TO THE EXTENT THIS LIMITATION IS SPECIFICALLY PRECLUDED BY APPLICABLE LAW OF MANDATORY APPLICATION. TIMBERTECH'S LIABILITY WITH RESPECT TO DEFECTIVE PRODUCTS SHALL IN NO EVENT EXCEED THE REPLACEMENT OF SUCH PRODUCTS OR REFUND OF THE PURCHASE PRICE, AS DESCRIBED ABOVE.

Some states do not allow the exclusion or limitation of incidental or consequential damages, so the above limitation or exclusion may not apply to you. This warranty gives you specific legal rights, and you may also have other rights that vary from state to state.

Miscellaneous: This writing is understood and intended to be the final expression of the parties' agreement and is a complete and exclusive statement of the terms and conditions with respect thereto, superseding all prior agreements or representations, oral or written, and all other communication between the parties relating to the subject matter of this agreement. This warranty may not be altered or amended except in a written instrument signed by TimberTech and Purchaser or permitted transferee. No agent, employee or any other party is authorized to make any warranty in addition to that made in this agreement and TimberTech shall not be bound by any such statements other than those contained in this warranty.

This warranty shall only be applicable and enforceable in the United States of America.

This warranty is effective for purchases (residential or commercial, as the case may be) made on or after January 1, 2011.

Copyright (c) 2011 TimberTech.